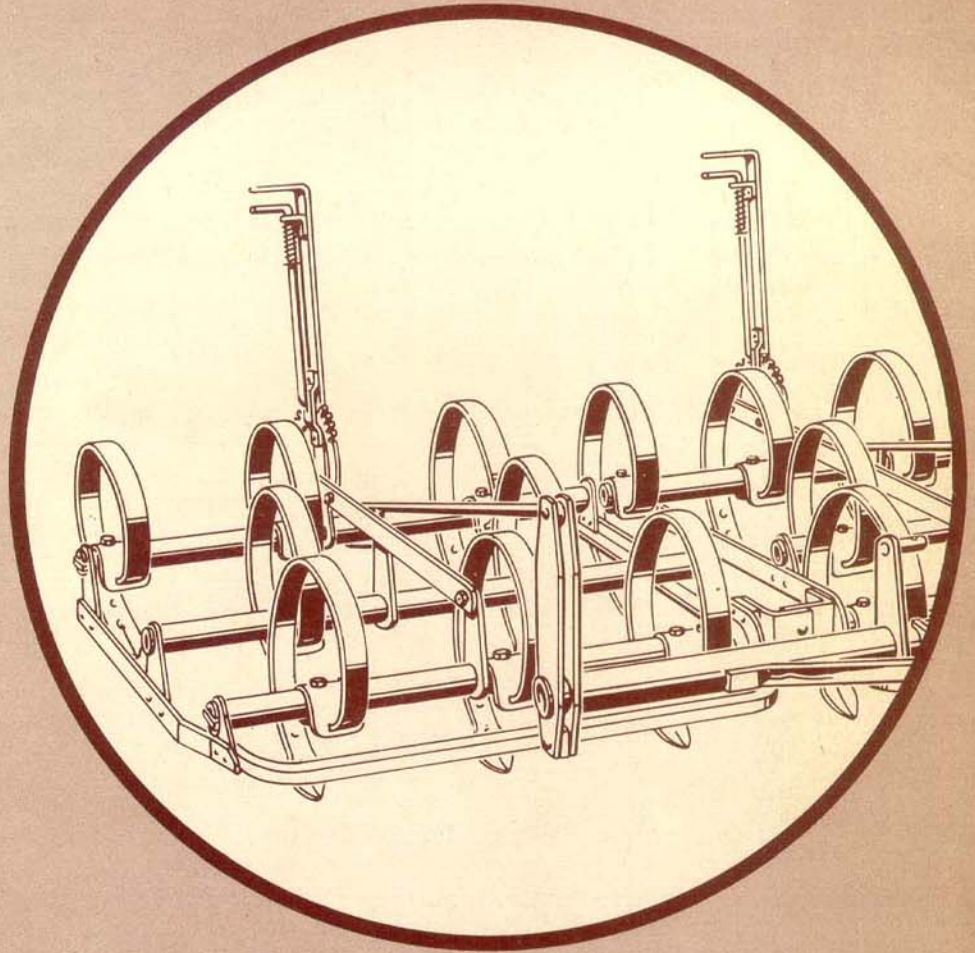




PARTS BOOK

FOR K-BO-A21 AND K-BO-A31 LIFT TYPE
SPRING TOOTH HARROWS



Form No. 693 013 MI

Replaces O-3242-A

FERGUSON DIVISION

MASSEY-HARRIS-FERGUSON, INC.

RACINE, WISCONSIN

FOREWORD

This parts book for the K-BO-A Spring Tooth Harrow has been arranged for your easy reference in ordering and identifying current model service parts.

This book supersedes catalog dated May 1946, Form O-3242 and June 1952, Form O-3242-A.

* * *

INSTRUCTIONS

Wherever more than one part is covered by a reference number, the function of the parts are listed only once, that is after the first part number listed.

Example:

662 502 M91	Standard and Coupling Assembly, Rear
662 511 M1	Coupling
1 699 X	Rivet, Round Head

In the above:

662 511 M1 and 1 699 X are part of 662 502 M91.

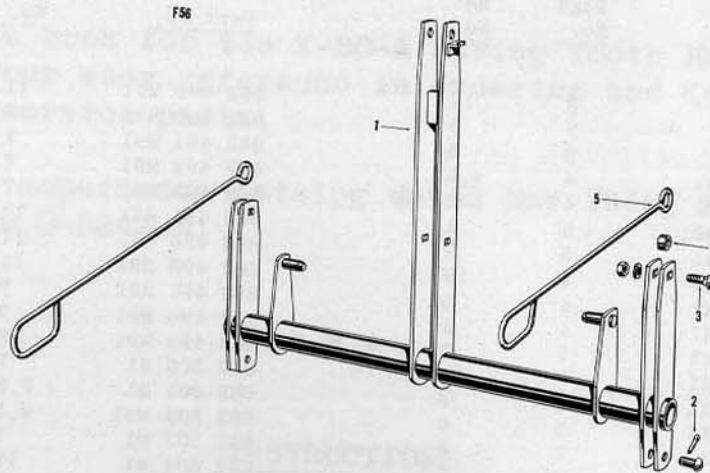
GROUP INDEX

<u>Group</u>	<u>Description</u>	<u>Page</u>
4	Accessory.....	5
1	Drawbar, Two Section.....	4
2	Drawbar, Three Section.....	4
3	Lever Assembly.....	5
	Numerical Index.....	3
5	Section, Right.....	7
6	Section, Center.....	9
7	Section, Left.....	11

NUMERICAL INDEX

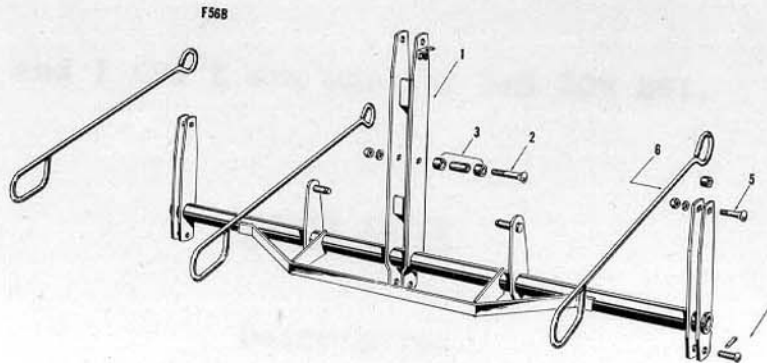
<u>Part No.</u>	<u>Page No.</u>	<u>Ref. No.</u>	<u>Part No.</u>	<u>Page No.</u>	<u>Ref. No.</u>
1 699 X	9	14	662 489 M91	11	1
2 766 X	7	3	662 490 M91	9	1
11 055 X	9	5	662 491 M91	7	9
195 652 M1	4	4,5	662 492 M91	7	10
195 734 M1	4	2	662 493 M91	7	8
195 841 M91	5	1	662 494 M91	11	4
353 413 X1	5	2	662 495 M91	11	3
353 414 X1	9	19	662 496 M91	11	8
353 426 X1	4	5	662 497 M91	9	9
353 432 X1	4	2	662 498 M91	9	10
353 756 X1	5	3	662 499 M91	9	8
353 826 X1	7	15	662 500 M1	7	2
353 827 X1	5	5	662 501 M1	7,9	16,20
353 828 X1	5	8	662 502 M91	9,11	12,13
353 829 X1	7	4	662 503 M1	7	5
353 830 X1	5	4	662 504 M1	11	5
353 831 X1	4	3	662 505 M1	9	16
353 840 X1	4	2	662 506 M1	7	12
354 064 X1	5	3	662 507 M1	7	11
354 076 X1	4	2	662 508 M91	9,11	17,18
662 370 M1	7	4	662 509 M91	7,9	6
662 481 M1	7	18	662 510 M1	7	3
662 482 M91	4	1	662 511 M1	9	14
662 483 M91	4	1	662 512 M1	4	5
662 484 M1	5	4	662 513 M1	5	6
662 485 M1	4	3	662 514 M1	5	7
662 486 M1	4	3	662 515 M1	5	3
662 487 M91	5	1	662 516 M1	5	2
662 488 M91	7	1	686 156 M1	5	2

FIG. 1 DRAWBAR ASSEMBLY - TWO SECTION

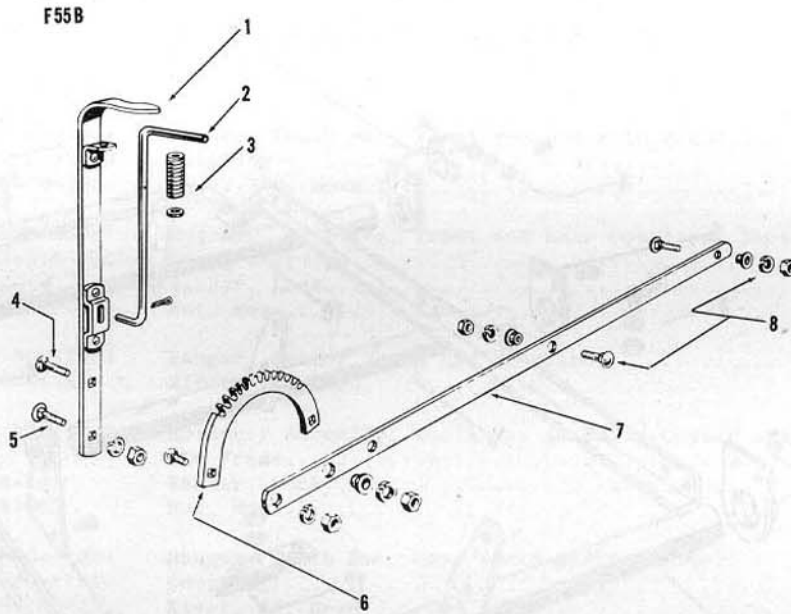


Ref. No.	Part No.	Replaces	Descriptive List	No. Req.
1	662 482 M91	2K-BO-A600	Drawbar Assembly, Two Section.....	1
2	195 734 M1	S-9580	Rivet, Special Rd. Hd., Drawbar to Right and Left Sections.....	2
	354 076 X1	19-05-100	Pin, Cotter.....	2
3	353 831 X1	44-011-162	Bolt, Carriage, Lift Rods to Right and Left Sections.....	2
	353 432 X1	44-14	Lock Washer.....	2
4	195 652 M1	S-10018	Nut, Hex.....	2
5	662 512 M1	K-BO-A7950	Bushing, Short, Lift Rod to Struts.....	2
			Rod, Lift.....	2

FIG. 2 DRAWBAR ASSEMBLY - THREE SECTION



Ref. No.	Part No.	Replaces	Descriptive List	No. Req.
1	662 483 M91	3K-BO-A600	Drawbar Assembly, Three Section.....	1
2	353 840 X1	44-011-275	Bolt, Carriage, Center Section Lift Rod to Strut.....	1
	353 432 X1	44-14	Lock Washer.....	1
3	353 426 X1	44-003	Nut, Hex.....	1
	662 486 M1	K-BO-A5556	Spacer, Center Lift Rod to Connecting Arm.....	2
4	662 485 M1	K-BO-A5555	Bushing, Long.....	1
	195 734 M1	S-9580	Rivet, Special Rd. Hd., Drawbar to Sections.....	3
5	354 076 X1	19-05-100	Pin, Cotter.....	3
	195 652 M1	S-10018	Bushing, Lift Rods to Right and Left Sections.....	2
6	353 831 X1	44-011-162	Bolt, Carriage.....	2
	353 432 X1	44-14	Lock Washer.....	2
	353 426 X1	44-003	Nut, Hex.....	2
	662 512 M1	K-BO-A7950	Rod, Lift.....	3



Ref. No.	Part No.	Replaces	Descriptive List	No. Req.
1	662 487 M91	K-BO-A7877	Lever Assembly.....	1
2	662 516 M1	K-BO-A9575	Rod, Lever.....	1
3	662 515 M1	K-BO-A9557	Spring, Lever Rod.....	1
	353 756 X1	38-104	Washer, Flat, Spring Retainer.....	1
4	354 064 X1	16-05-75	Pin, Cotter.....	1
	662 484 M1	K-BO-A5511	Bushing, Shift Lever to Standard.....	1
	353 830 X1	44-011-150	Bolt, Carr., Lever to Standard to Shift Bar.....	1
	353 432 X1	44-14	Washer, Lock.....	1
5	353 426 X1	44-003	Nut, Hex.....	1
	353 827 X1	44-011-112	Bolt, Carr., Lever to Standard.....	1
6	353 432 X1	44-14	Washer, Lock.....	1
	353 426 X1	44-003	Nut, Hex.....	1
	662 513 M1	K-BO-A7998	Ratchet.....	1
7	353 827 X1	44-011-112	Bolt, Carr., Ratchet to Shift Bar.....	2
	353 432 X1	44-14	Washer, Lock.....	2
8	353 426 X1	44-003	Nut, Hex.....	2
	662 514 M1	K-BO-A8031	Bar, Shift.....	1
8	353 828 X1	44-011-125	Bolt, Carr., Shift Bar to Center and Front Standards.....	2
	353 432 X1	44-14	Washer, Lock.....	2
8	353 426 X1	44-003	Nut, Hex.....	2
	662 484 M1	K-BO-A5511	Bushing.....	2

FIG. 4 ACCESSORY

Ref. No.	Part No.	Replaces	No. Req.	
1	195 841 M91	S-54108	Shovel Assembly.....	x
2	353 413 X1	44-031-100	Bolt, Plow, Shovel to Tooth.....	2
	353 426 X1	44-003	Nut, Hex.....	2
2	686 156 M1	N-KO-9681	Washer, Shovel.....	2

Note: x - in Right Hand Column - As Required.

F55D

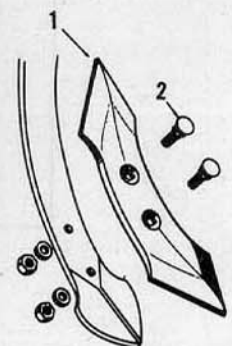
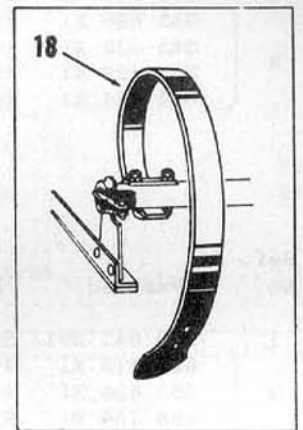
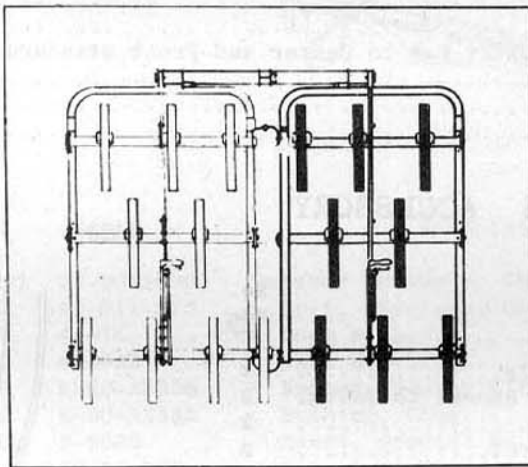
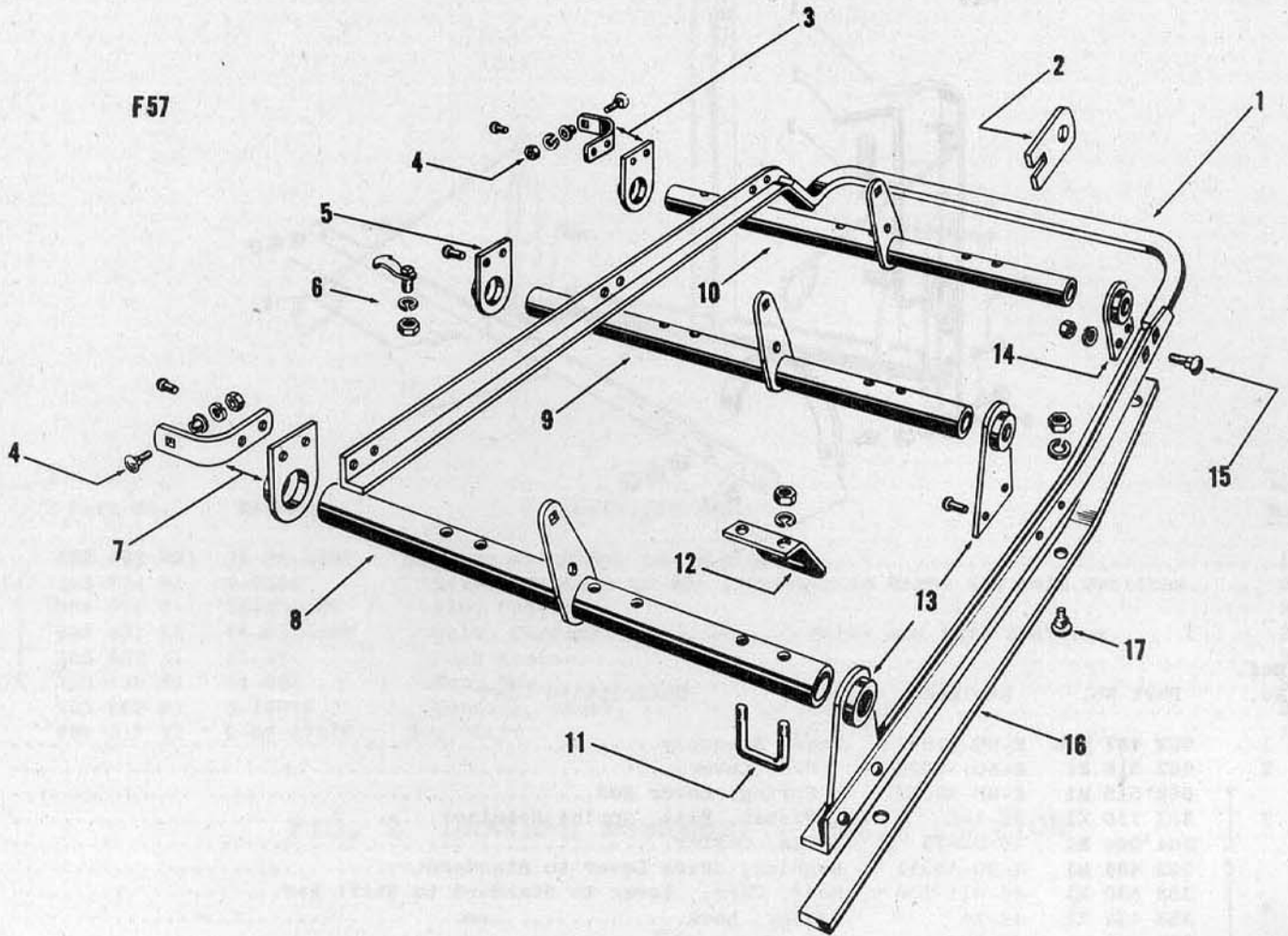


FIG. 5 RIGHT HAND SECTION AND RELATED PARTS

F57



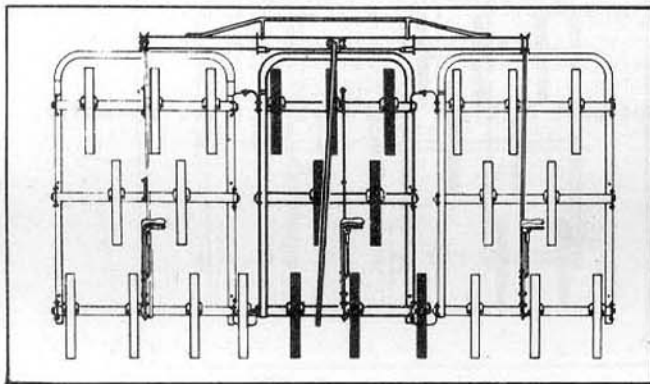
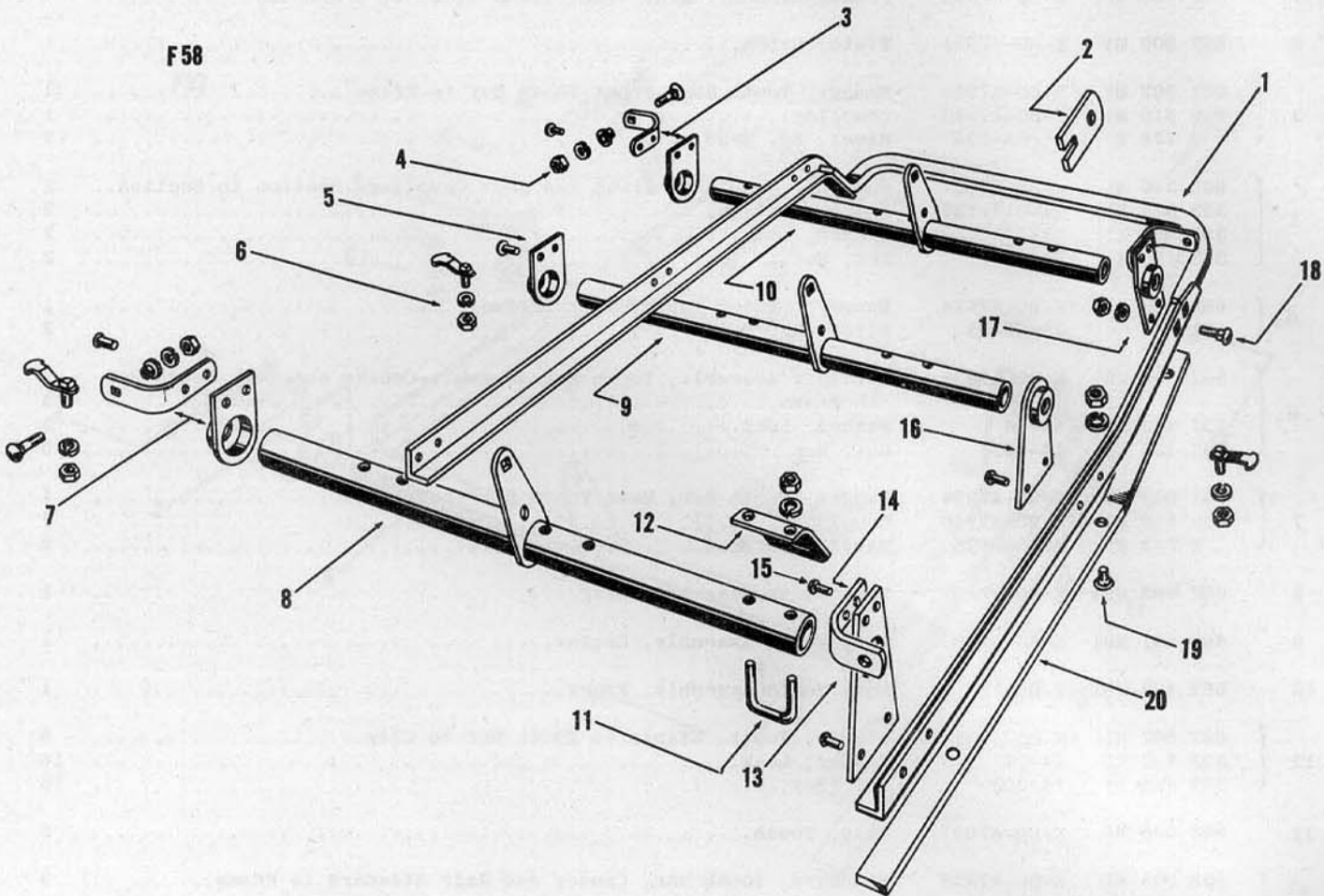
TOOTH POSITION SHOWN FOR RIGHT SECTION

FIG. 5 RIGHT HAND SECTION AND RELATED PARTS

Ref. No.	Part No.	Replaces	Descriptive List	No. Req.
1	662 488 M91	K-BO-A7885	Frame Assembly, R.H. (Inc. items 2, 3, 5, 7 and 13).....	1
2	662 500 M1	K-BO-A7911	Plate, Hitch.....	1
3	662 503 M1	K-BO-A7924	Hanger, Tooth Bar, Front Tooth Bar to Frame.....	1
	662 510 M1	K-BO-A7940	Coupling.....	1
	2 776 X	38-06-125	Rivet, Rd. Head.....	2
4	662 370 M1	A-BO-5582	Bushing, Coupling, Front and Rear Coupling, Section to Section..	2
	353 829 X1	44-011-138	Bolt, Carriage.....	2
	353 432 X1	44-14	Washer, Lock.....	2
	353 426 X1	44-003	Nut, Hex.....	2
5	662 503 M1	K-BO-A7924	Hanger, Center Tooth Bar to Frame.....	1
	11 055 X	38-06-88	Rivet, Rd. Head.....	2
6	662 509 M91	K-BO-A7939	Retainer Assembly, Tooth Bar Assembly-Center and Rear Tooth Bar to Frame.....	5
	353 432 X1	44-14	Washer, Lock.....	5
	353 426 X1	44-003	Nut, Hex.....	5
7	662 503 M1	K-BO-A7924	Hanger, Tooth Bar, Rear Tooth Bar to Frame.....	1
	662 510 M1	K-BO-A7940	Coupling.....	1
	2 776 X	38-06-125	Rivet, Rd. Head.....	2
8	662 493 M91	K-BO-A7892	Bar, Tooth Assembly, Rear.....	1
9	662 491 M91	K-BO-A7890	Bar, Tooth Assembly, Center.....	1
10	662 492 M91	K-BO-A7891	Bar, Tooth Assembly, Front.....	1
11	662 507 M1	K-BO-A7932	Staple, Tooth, Staple to Tooth Bar to Clip.....	8
	353 432 X1	44-14	Washer, Lock.....	16
	353 426 X1	44-003	Nut, Hex.....	16
12	662 506 M1	K-BO-A7931	Clip, Tooth.....	8
13	662 505 M1	K-BO-A7928	Standard, Tooth Bar, Center and Rear Standard to Frame.....	2
	11 055 X	38-06-88	Rivet, Rd. Head.....	4
14	662 504 M1	K-BO-A7925	Standard, Tooth Bar to Frame, Front.....	1
15	353 826 X1	44-011-100	Bolt, Carr., Front Standard to Frame.....	2
	353 432 X1	44-14	Washer, Lock.....	2
	353 426 X1	44-003	Nut, Hex.....	2
16	662 501 M1	K-BO-A7913	Shoe.....	1
17	353 414 X1	44-031-112	Bolt, Plow, Shoe to Frame.....	3
	353 432 X1	44-14	Washer, Lock.....	3
	353 426 X1	44-003	Nut, Hex.....	3
18	662 481 M1	K-BO-A156	Tooth, Spring (Not part of Right Hand Section Frame Assembly)...	8

FIG. 6 CENTER SECTION AND RELATED PARTS

F58



TOOTH POSITION SHOWN FOR CENTER SECTION

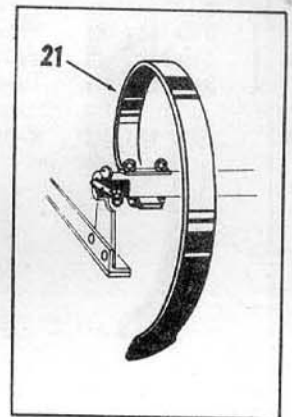
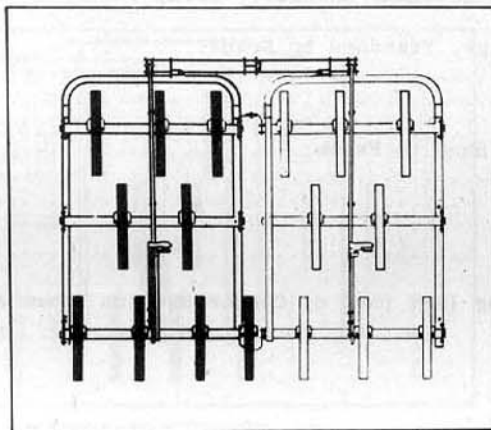
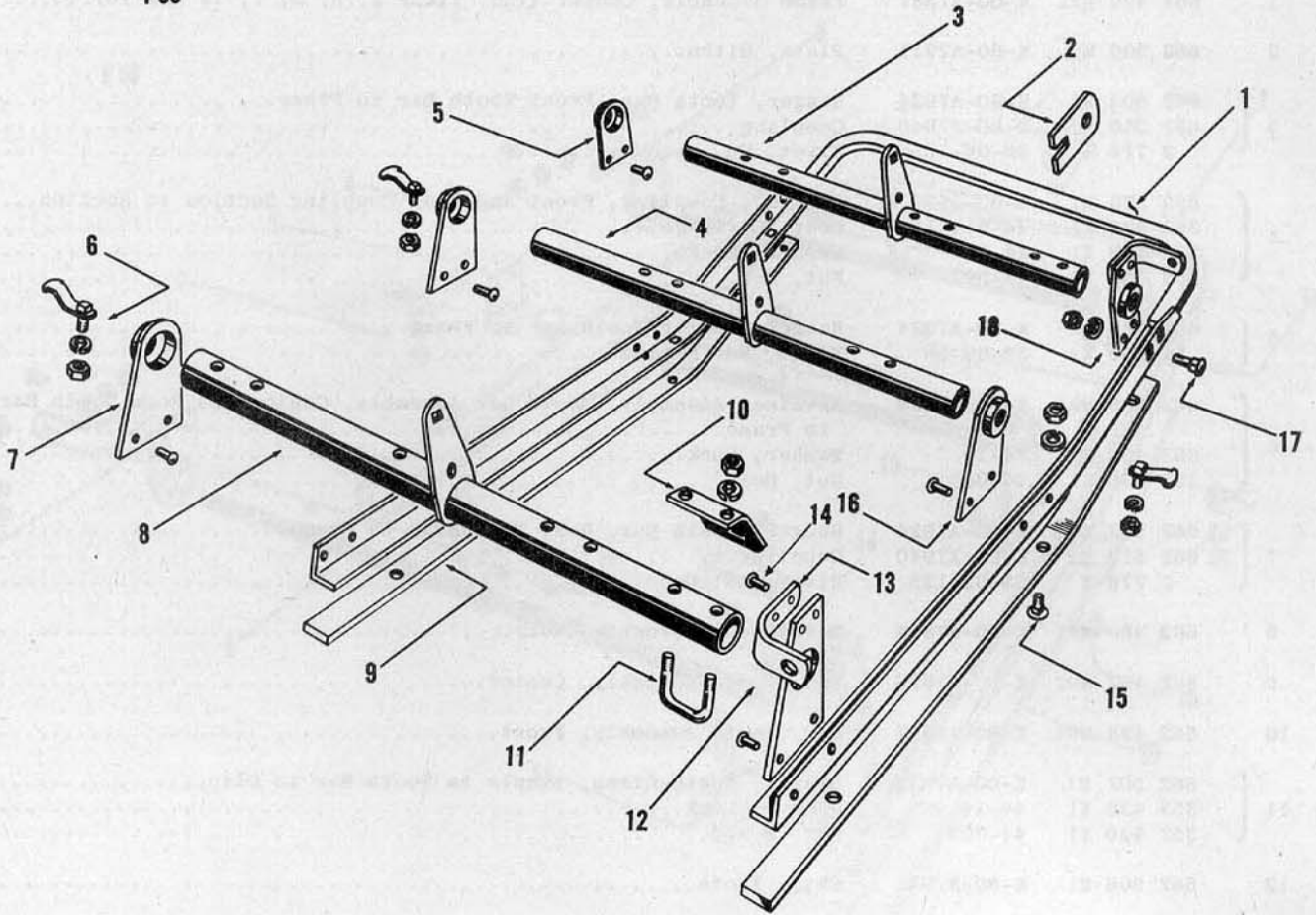


FIG. 6 CENTER SECTION AND RELATED PARTS

Ref. No.	Part No.	Replaces	Descriptive List	No. Req.
1	662 490 M91	K-BO-A7887	Frame Assembly, Center (Inc. items 2, 3, 5, 7, 13 and 16).....	1
2	662 500 M1	K-BO-A7911	Plate, Hitch.....	1
3	662 503 M1	K-BO-A7924	Hanger, Tooth Bar, Front Tooth Bar to Frame.....	1
	662 510 M1	K-BO-A7940	Coupling.....	1
	2 776 X	38-06-125	Rivet, Rd. Head.....	2
4	662 370 M1	A-BO-5582	Bushing, Coupling, Front and Rear Coupling Section to Section...	2
	353 829 X1	44-011-138	Bolt, Carriage.....	2
	353 432 X1	44-14	Washer, Lock.....	2
	353 426 X1	44-003	Nut, Hex.....	2
5	662 503 M1	K-BO-A7924	Hanger, Center Tooth Bar to Frame.....	1
	11 055 X	38-06-88	Rivet, Rd. Head.....	2
6	662 509 M91	K-BO-A7939	Retainer Assembly, Tooth Bar Assembly, Center and Rear Tooth Bar to Frame.....	5
	353 432 X1	44-14	Washer, Lock.....	5
	353 426 X1	44-003	Nut, Hex.....	5
7	662 503 M1	K-BO-A7924	Hanger, Tooth Bar, Rear Tooth Bar to Frame.....	1
	662 510 M1	K-BO-A7940	Coupling.....	1
	2 776 X	38-06-125	Rivet, Rd. Head.....	2
8	662 499 M91	K-BO-A7898	Bar, Tooth Assembly, Rear.....	1
9	662 497 M91	K-BO-A7896	Bar, Tooth Assembly, Center.....	1
10	662 498 M91	K-BO-A7897	Bar, Tooth Assembly, Front.....	1
11	662 507 M1	K-BO-A7932	Staple, Tooth Clamp, Staple to Tooth Bar to Clip.....	8
	353 432 X1	44-14	Washer, Lock.....	16
	353 426 X1	44-003	Nut, Hex.....	16
12	662 506 M1	K-BO-A7931	Clip, Tooth.....	8
13	662 502 M91	K-BO-A7922	Standard and Coupling Assembly, Rear.....	1
14	662 511 M1	K-BO-A7941	Coupling.....	1
	1 699 X	38-06-100	Rivet, Rd. Head.....	2
15	11 055 X	38-06-88	Rivet, Rd. Head.....	2
16	662 505 M1	K-BO-A7928	Standard, Tooth Bar, Center.....	1
	11 055 X	38-06-88	Rivet, Rd. Head.....	2
17	662 508 M91	K-BO-A7938	Standard and Coupling Assembly, Front Tooth Bar.....	1
18	353 826 X1	44-011-100	Bolt, Carriage, Standard to Frame.....	2
	353 432 X1	44-14	Washer, Lock.....	2
	353 426 X1	44-003	Nut, Hex.....	2
19	353 414 X1	44-031-112	Bolt, Plow, Shoe to Frame.....	3
	353 432 X1	44-14	Washer, Lock.....	3
	353 426 X1	44-003	Nut, Hex.....	3
20	662 501 M1	K-BO-A7913	Shoe.....	1
21	662 481 M1	K-BO-A156	Tooth, Spring (Not part of Center Section Frame Assembly).....	8

FIG. 7 LEFT HAND SECTION AND RELATED PARTS

F59



TOOTH POSITION SHOWN FOR LEFT SECTION

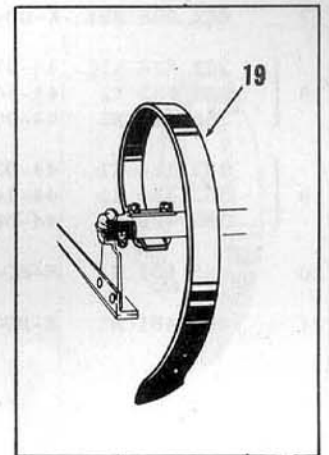


FIG. 7 LEFT HAND SECTION AND RELATED PARTS

Ref. No.	Part No.	Replaces	Descriptive List	No. Req.
1	662 489 M91	K-BO-A7886	Frame Assembly, L.H. (Inc. items 2, 5, 7, 12 and 16).....	1
2	662 500 M1	K-BO-A7911	Plate, Hitch.....	1
3	662 495 M91	K-BO-A7894	Bar, Tooth Assembly, Front.....	1
4	662 494 M91	K-BO-A7893	Bar, Tooth Assembly, Center.....	1
5	662 504 M1	K-BO-A7925	Standard, Tooth Bar, Front.....	1
	11 055 X	38-06-88	Rivet, Rd. Head.....	2
6	662 509 M91	K-BO-A7939	Retainer Assembly, Tooth Assembly Bar, Center and Rear Tooth Bar to Frame.....	6
	353 432 X1	44-14	Washer, Lock.....	6
	353 426 X1	44-003	Nut, Hex.....	6
7	662 505 M1	K-BO-A7928	Standard, Tooth Bar, Rear and Center.....	2
	11 055 X	38-06-88	Rivet, Rd. Head.....	4
8	662 496 M91	K-BO-A7895	Bar, Tooth Assembly, Rear.....	1
9	662 501 M1	K-BO-A7913	Shoe.....	2
10	662 506 M1	K-BO-A7931	Clip, Tooth.....	9
11	662 507 M1	K-BO-A7932	Staple, Tooth Bar to Clip.....	9
	353 432 X1	44-14	Washer, Lock.....	18
	353 426 X1	44-003	Nut, Hex.....	18
12	662 502 M91	K-BO-A7922	Standard and Coupling Assembly, Rear.....	1
13	662 511 M1	K-BO-A7941	Coupling.....	1
	1 699 X	38-06-100	Rivet, Rd. Head.....	2
14	11 055 X	38-06-88	Rivet, Rd. Head.....	2
15	353 414 X1	44-031-112	Bolt, Plow, Shoe to Frame.....	6
	353 432 X1	44-14	Washer, Lock.....	6
	353 426 X1	44-003	Nut, Hex.....	6
16	662 505 M1	K-BO-A7928	Standard, Tooth Bar, Center.....	1
	11 055 X	38-06-88	Rivet, Rd. Head.....	2
17	353 826 X1	44-011-100	Bolt, Carriage, Front Standard to Frame.....	2
	353 432 X1	44-14	Washer, Lock.....	2
	353 426 X1	44-003	Nut, Hex.....	2
18	662 508 M91	K-BO-A7938	Standard and Coupling Assembly, Front Tooth Bar.....	1
19	662 481 M1	K-BO-A156	Tooth, Spring (Not part of Left Hand Section Frame Assembly)....	9

A SYMBOL OF QUALITY



USE ONLY
GENUINE FERGUSON
SERVICE PARTS